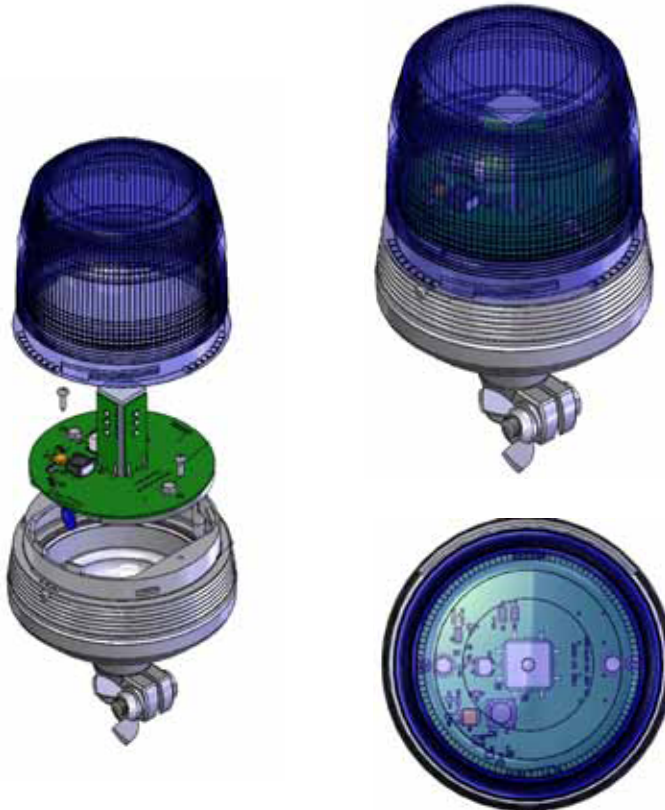


## 400 Series LED Beacon

Get all the advantages of our latest LED technology in the popular 400 series beacon. This ECE Reg 65 LED beacon features 12 powerful LED's arranged to produce a 360 degree flash pattern, with a flash rate of 120FPM for maximum visibility. Combining the solid state, maintenance free and long life nature of LED technology with a proven tough housing design. This Vision Alert, UK produced beacon is designed to maximise resilience to excessive vibration and increase the life of the product.



### Features

- 400 Series low profile lens
- 120 FPM -
- 12 head LED technology
- 8 popular mount options:  
3 Bolt, 1 Bolt, Mag 50  
1 Bolt Flexi, Mag 70,  
Flexi DIN Pole, DIN Pole  
Mount, 1 Bolt Conical.
- 10 - 30VDC
- ECE Reg 65
- IP 65
- ECE R10 (emc)
- Operating Temperature:-  
-20C to +50C
- Current:  
720mA @ 12V  
360mA @ 24V
- 2 Years Warranty

Vision Alert Automotive Limited  
Victoria Industrial Park  
Victoria Road  
Seacroft  
LS14 2LA  
Tel: +44(0)113 237 5340  
Fax: +44(0)113 237 5360

UK only local rate  
Tel: 0845 1300 155  
Fax: 0845 1300 255

Email: [sales@visionalert.com](mailto:sales@visionalert.com)  
[www.visionalert.com](http://www.visionalert.com)

### Models - Blue

V11058	3 Bolt	V11062	Mag 70
V11059	1 Bolt Conical	V11063	Flexi DIN Pole
V11060	1 Bolt	V11064	DIN Pole
V11061	Mag 50	V11065	1 Bolt Flexi



## 400 Series LED Beacon

Get all the advantages of our latest LED technology in the popular 400 series beacon. This ECE Reg 65 LED beacon features 12 powerful LED's arranged to produce a 360 degree flash pattern, with a flash rate of 120FPM for maximum visibility. Suitable for applications where UK lighting regulation Chapter 8 is a requirement. Combining the solid state, maintenance free and long life nature of LED technology with a proven tough housing design. This Vision Alert, UK produced beacon is designed to maximise resilience to excessive vibration and increase the life of the product.



### Features

- 400 Series low profile lens
- 120 FPM - Double flash
- 12 head LED technology
- 8 popular mount options:  
3 Bolt, 1 Bolt, Mag 50  
1 Bolt Flexi, Mag 70,  
Flexi DIN Pole, DIN Pole  
Mount, 1 Bolt Conical.
- 10 - 30VDC
- ECE Reg 65
- IP 65
- ECE R10 (emc)
- Operating Temperature:-  
-20C to +50C
- Current:  
720mA @ 12V  
360mA @ 24V
- 2 Years Warranty

Vision Alert Automotive Limited  
Victoria Industrial Park  
Victoria Road  
Seacroft  
LS14 2LA  
Tel: +44(0)113 237 5340  
Fax: +44(0)113 237 5360

UK only local rate  
Tel: 0845 1300 155  
Fax: 0845 1300 255

Email: [sales@visionalert.com](mailto:sales@visionalert.com)  
[www.visionalert.com](http://www.visionalert.com)

### Models - Amber

V11050	3 Bolt	V11054	Mag 70
V11051	1 Bolt Conical	V11055	Flexi DIN Pole
V11052	1 Bolt	V11056	DIN Pole
V11053	Mag 50	V11057	1 Bolt Flexi

