

Mini Stealth

12~24VDC

R65 6-LED Directional Warning Lamp (Hood / Deck Mount)



Now available
in Vertical
Mount Optics

FEATURES

- Super low profile for discreet mounting.
- Up/Down Angle adjustable.
- Available in vertical mount optics.
- Multi-Voltage Input 12~24DC.
- Built-in 5 selectable flash patterns.
- LEDs rated to 100,000 hours of operation.
- Non-volatile memory recalls last flash pattern used at power up.
- Multiple units are synchronizable.
- Reverse polarity protection.
- Weatherproof and vibration resistant design for internal or external use.
- Aluminum base for heat dissipation.

SPECIFICATIONS

Meets: ECE R65 (XA1, XB1, XR1), ECE R10, CA13

Bulb: High-power LED x 6pcs

Warning Patterns: 5 Flash Patterns

Operating Voltage: 12~24VDC

Avg. Current: XA1/XR1 0.40A@12VDC / 0.20A@24VDC
XB1 0.58A@12VDC / 0.29A@24VDC

Avg. Power: XA1/XR1 4.8W / XB1 6.9W

Max. Current: XA1/XR1 0.80A@12VDC / 0.40A@24VDC
XB1 1.15A@12VDC / 0.58A@24VDC

Max. Power: XA1/XR1 9.6W / XB1 13.8W

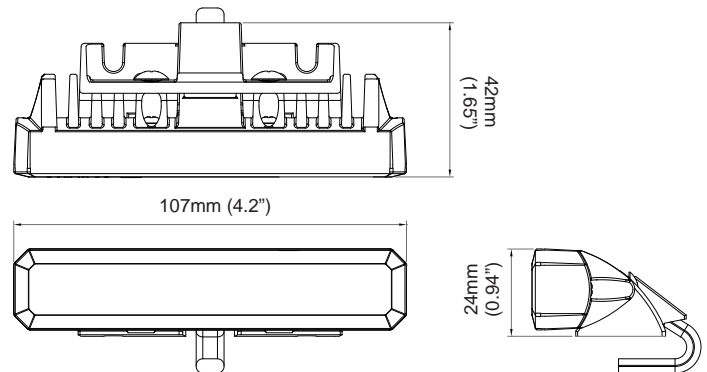
Wires: Red-Vcc : 97cm (20AWG)
Black-GND : 97cm (20AWG)
Yellow-Flash Patterns & Sync : 97cm (20AWG)

Fuse Recommended: 2A

Multi-Unit Synchronization: Over 15 units

Available in: BLUE, AMBER, RED

DIMENSIONS



MOUNTING OPTIONS

- Adhesive Mount
- Screw Mount
- Bracket Mount

PART NO.

- M29-0113A-00.....AMBER LED (XA1)
- M29-0113B-00.....BLUE LED (XB1)
- M29-0113R-00R.....RED LED (XR1)
- M29-1113A-00R.....VERTICAL MOUNT, AMBER LED (XA1)
- M29-1113B-00R.....VERTICAL MOUNT, BLUE LED (XB1)

FLASH PATTERN

Flash Patterns			
1	Single (2Hz)	4	Quad (2Hz)
2	Double (R65)	5	Steady
3	Triple (2Hz)		