

# Mini Stealth

## 6-LED Directional Warning Lamp (Surface Mount)

**E6** XB1  
000006

**E6** XA1  
000005

M30-0113A-00 (XA1)  
M30-0113B-00 (XB1)



### FEATURES

- Super low profile for discreet mounting
- Multi-Voltage Input 11~30VDC
- Built-in 5 selectable flash patterns
- LEDs rated to 100,000 hours of operation.
- Non-volatile memory recalls last flash pattern used at power up.
- Multiple units are synchronizable.
- Reverse polarity protection.
- Weatherproof and vibration resistant design for external or internal use.
- Aluminum base for heat dissipation.

### SPECIFICATIONS

**Meets:** SAE, Title XIII, E6 R65, e13

**Bulb:** 1W LED x 6pcs

**Warning Patterns:** 5 Flash Patterns

**Operating Voltage:** 11~30VDC

**Avg. Current:** XA1 0.39A@12V / 0.20A@24V  
XB1 0.43A@12V / 0.29A@24V

**Avg. Power:** XA1 4.8W / XB1 6.9W

**Max. Current:** XA1 0.78A@12V / 0.40A@24V  
XB1 0.87A@12V / 0.58A@24V

**Max. Power:** XA1 9.6W / XB1 13.8W

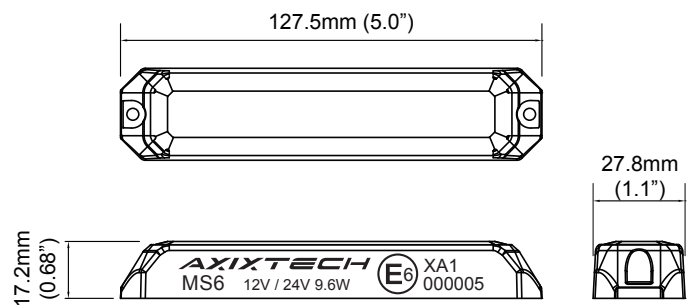
**Wires:** Red-Vcc : 97cm (20AWG)  
Black-GND : 97cm (20AWG)  
Yellow-Flash Patterns & Sync : 97cm (20AWG)

**Fuse Recommended:** 3A

**Multi-Unit Synchronization:** Over 15 units

**Available in:** BLUE, AMBER

### DIMENSIONS



17.2mm  
(0.68")

27.8mm  
(1.1")

### FLASH PATTERN

FP#	Flash Patterns	
1	Single	4 Quad
2	Double	5 Steady
3	Triple	

### MODELS

**M30-0113A-00:** Amber XA1

**M30-0113B-00:** Blue XB1