

Mini Stealth

6-LED Directional Warning Lamp (Hood/Deck Mount)

E6 XB1
000006

E6 XA1
000005



M29-0113A-00 (XA1)

M29-0113B-00 (XB1)

FEATURES

- Super low profile for discreet mounting
- Multi-Voltage Input 11~30VDC
- Built-in 5 selectable flash patterns
- LEDs rated to 100,000 hours of operation.
- Non-volatile memory recalls last flash pattern used at power up.
- Multiple units are synchronizable.
- Reverse polarity protection.
- Weatherproof and vibration resistant design for external or internal use.
- Aluminum base for heat dissipation.

SPECIFICATIONS

Meets: SAE, Title XIII, E6 R65, e13

Bulb: 1W LED x 6pcs

Warning Patterns: 5 Flash Patterns

Operating Voltage: 11~30VDC

Avg. Current: XA1 0.39A@12V / 0.20A@24V

XB1 0.43A@12V / 0.29A@24V

Avg. Power: XA1 4.8W / XB1 6.9W

Max. Current: XA1 0.78A@12V / 0.40A@24V

XB1 0.87A@12V / 0.58A@24V

Max. Power: XA1 9.6W / XB1 13.8W

Wires: Red-Vcc : 97cm (20AWG)

Black-GND : 97cm (20AWG)

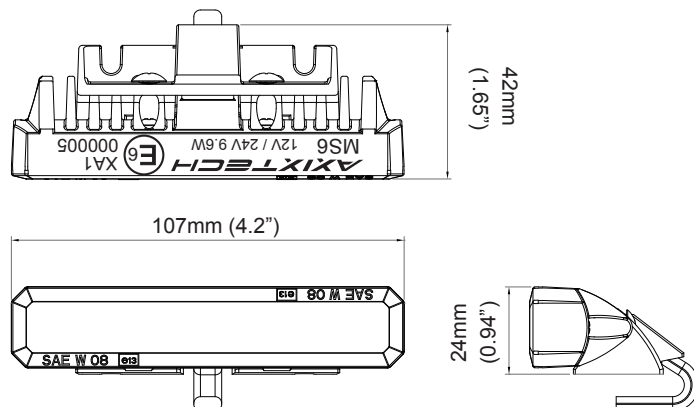
Yellow-Flash Patterns & Sync : 97cm (20AWG)

Fuse Recommended: 3A

Multi-Unit Synchronization: Over 15 units

Available in: BLUE , AMBER

DIMENSIONS



MOUNTING OPTIONS

- Adhesive Mount
- Screw Mount
- Bracket Mount

FLASH PATTERN

Flash Patterns			
1	Single	4	Quad
2	Double	5	Steady
3	Triple		

MODELS

M29-0113A-00: Amber XA1

M29-0113B-00: Blue XB1

