



FEATURES

Multi-Voltage Input 11~80VDC Heavy-Duty Powder Coated Die Cast Aluminum.
 Waterproof - can be installed in all places.
 Vibration resistant - suitable for all applications.
 Reverse Polarity Protection.
Applications: Police, Fire, Ambulance, Tow, Construction, Mining, Off-road.



FEATURES

Heavy-Duty Powder Coated Die Cast Aluminum
 Weatherproof and Vibration resistant LEDs rated to 100,000 hours of operation Reverse Polarity Protection
 Multi-Voltage Input 10~70VDC for worldwide use
Applications: Police, Fire, Ambulance, Tow, Construction, Mining, Off-road



BXLED SERIES

BXLED10B-M

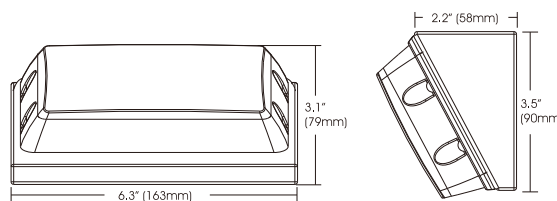


FEATURES

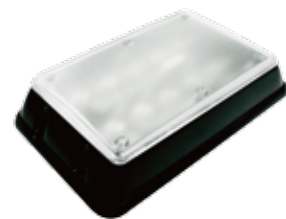
10 Gen III high power LED Angle down at 30 degrees.
 Slimline design and robust aluminum housing.
 Effective heat sink for cool operation LEDs rated to 100,000 hours of operation.

SPECIFICATIONS

Voltage: 12~24VDC
 Current: Max. 1.2@12.8VDC / 0.6@25.6VDC
 Bulb: 3W LED x 10 pcs
 Carton: 20 pcs



BXLED10B



MBBXLED10



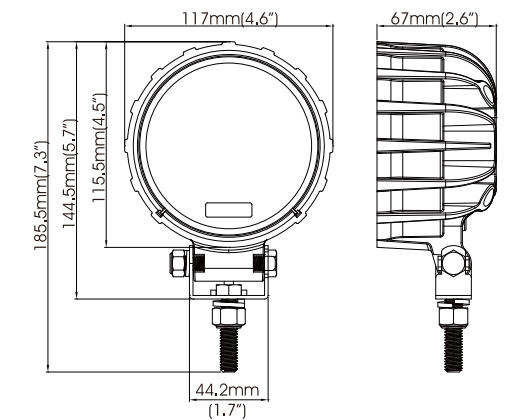
LED WOLK LAMP

ROUND Word Lamp
 (WLB306 / WLB406 / WLB506 Series)



SPECIFICATIONS

Meets: EMC, IP68
 Voltage: 11~70VDC
 LED Element: High intensity LED x 6 pcs
 Carton: 20 pcs



SQUARE Word Lamp
 (WLC306 / WLC406 / WLC506 Series)



SPECIFICATIONS

Meets: EMC, IP68
 Voltage: 11~70VDC
 LED Element: High intensity LED x 6 pcs
 Carton: 20 pcs

