



FEATURES

Single or Multi-Voltage Input Built-in Selectable Flash Patterns Simultaneous or Alternating Flashing Multi-Unit Synchronization Reverse polarity protection Weather-proof and vibration resistant
LED Colors: Amber, Red, Blue, White
Lens Colors: Amber, Red, Blue



FEATURES

Super low profile for discreet mounting Up / Down Angle adjustable Multi-Voltage Input 11~30VDC Built-in selectable flash patterns Multiple units are synchronizable and can flash simultaneously or alternately.
 Reverse polarity protection.
Bulb: 1W LED x 3 pcs
LED Colors: Amber, Red, Blue, White



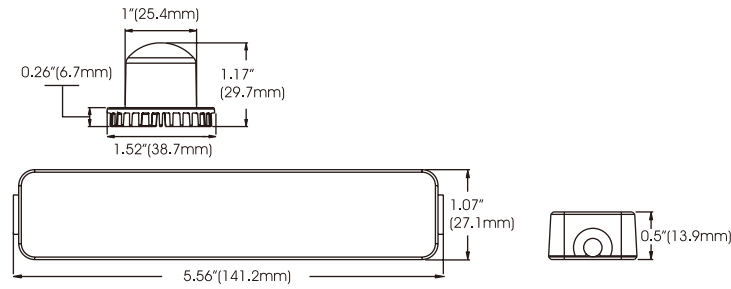
T.R.I. LED SYSTEM™

HAL09 Triangular Reflective Illumination (360° output)



SPECIFICATIONS

Voltage: 12~24VDC
 Current: Max. 2.4 Amps
 Flash Patterns: 19
 Carton: 20 set



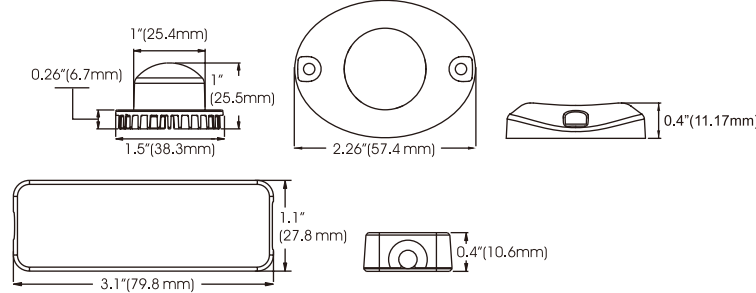
U.F.O. LED SYSTEM™

HAL06 Universal Flashing Options (45° angle)



SPECIFICATIONS

Voltage: 12VDC
 Current: Max. 1.8 Amps
 Flash Patterns: 19
 Flange Colors: Black, White, Chrome
 Carton: 20 set



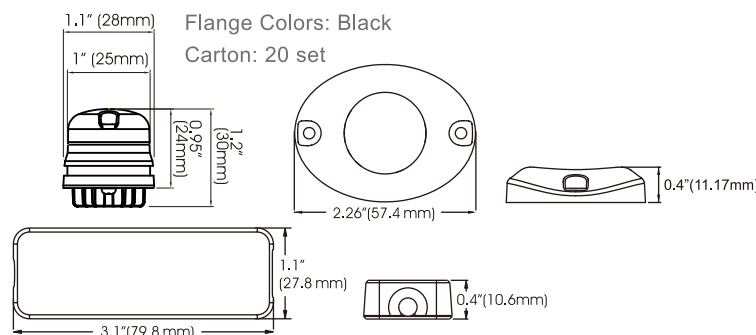
PAL06 LED SYSTEM™

PAL06 Universal Flashing Options



SPECIFICATIONS

Voltage: 12VDC
 Current: Max. 1.8 Amps
 Flash Patterns: 19
 Flange Colors: Black
 Carton: 20 set

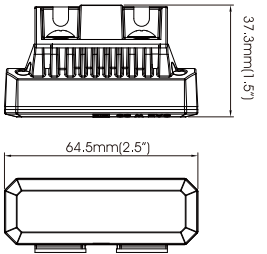


MS3BH SERIES



SPECIFICATIONS

Meets: SAE, Title XIII
 Warning Patterns: 12 Flash Patterns
 Voltage: 11~30VDC
 Current: Max. 0.2A @12.8VDC / 0.22A @24VDC
 Carton: 50 pcs

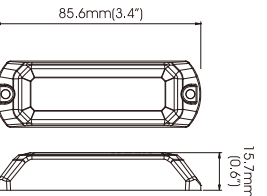


MS3BS SERIES



SPECIFICATIONS

Meets: SAE, Title XIII
 Warning Patterns: 12 Flash Patterns
 Voltage: 11~30VDC
 Current: Max. 0.2A @12.8VDC / 0.22A @24VDC
 Carton: 100 pcs



MOUNTING BRACKETS

MS3BS



MBGSMS3BS
L-Bracket Single Head

MBGSMS23BS
L-Bracket Dual Head
(Top/Down)

MBGDMS3BS
L-Bracket Dual Head
(Left/Right)

MBLPMS3BS
Bracket Licence Plate



MBHTMS3BS
Bracket Headliner



MBSMMS3BS
Bracket Swivel



MBTMMS3BS
Bracket Trunk