



Dollar Size; Mega Power

smaller than small – UR03 ECE R65 Lighthouse

✓ **ECE R65 Class 1**

performance with no compromise.

✓ **Self-Contained – All-in-1 lighthouse**

no external flasher required.

✓ **Ø 36mm Surface Recessed Mount**

small, concealed, uniformly install anywhere.

URO3

UNDERCOVER

3-LED All-In-One/ Self-contained Warning Lighthouse (Surface Recessed Mount)



FEATURES

- Small profile with powerful ECE R65 certified output.
- ECE R10 EMC Compliance.
- All-in-one self-contained for easy and versatile installation without external flasher.
- Versatile Side-mirror Mount or Surface Mount.
- Long life LEDs technology rated to 100,000 hours of operation.
- Non-volatile memory recalls last flash pattern used at power up.
- Multi-units synchronization in simultaneous or alternating flash.
- Reverse polarity protection.
- Fully Weatherproof and vibration resistant design for external or internal use.
- Aluminum base for efficient heat dissipation and maximum durability.

SPECIFICATIONS

Meets: ECE R65 (XA1, XB1); ECE R10
SAE J595 & J845 Class 1; IPX7

Bulb: High-power LED x 3pcs

Warning Patterns: 16 Flash Patterns

Operating Voltage: 12~24VDC

Avg. Current: 0.24A @12VDC / 0.12A @24VDC
(varies with flash pattern)

Avg. Power: 2.85 Watts (varies with flash pattern)

Max. Current: 0.48A @12VDC / 0.24A @24VDC

Max. Power: 5.7 Watts

Wires: Red-Vcc : 20cm (24AWG)

Black-GND : 20cm (24AWG)

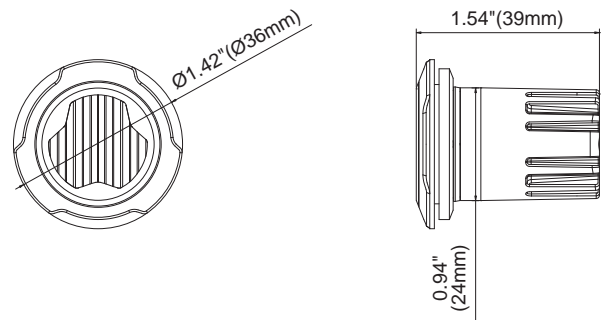
Yellow-Flash Patterns & Sync : 20cm (24AWG)

Fuse Recommended: 1A

Multi-Unit Synchronization: Over 15 units

Available in: RED, BLUE, AMBER, WHITE

DIMENSIONS



PART NO.

- F13-000C-00R (SAE, AMBER)
- F13-0003R-00R (SAE, RED)
- F13-1003C-00R (R65, AMBER)
- F13-2003R-00R (R10, RED)
- 99.F13M0.000 (Accessory, Single L-Bracket)
- F13-0003B-00R (SAE, BLUE)
- F13-0003W-00R (SAE, WHITE)
- F13-1003B-00R (R65, BLUE)
- F13-2003W-00R (R10, WHITE)

FLASH PATTERN

Flash Patterns			
1	Double [R65]	9	Double [SAE]
2	Single [2Hz]	10	Triple [SAE]
3	Triple [2Hz]	11	Quad [SAE]
4	Quad [2Hz]	12	Quint [SAE]
5	Random	13	Ultra [SAE]
6	Steady	14	Single-Quad
7	Single [SAE]	15	Single H/L
8	Mega	16	Single-Triple-Quint