

Mini Stealth

12-LED LIGHT HEAD (Surface Mount)



M35

FEATURES

- Super low profile for discreet mounting
- Multi-Voltage Input 12~24VDC
- Built-in 23 selectable flash patterns
- LEDs rated to 100,000 hours of operation.
- Non-volatile memory recalls last flash pattern used at power up.
- Multiple units are synchronizable and can flash simultaneously or alternately.
- Reverse polarity protection.
- Weatherproof and vibration resistant design for external or internal use.
- Aluminum base for heat dissipation.

SPECIFICATIONS

Meets: R65, SAE, Title XIII

Bulb: High-power LED x 12 pcs

Warning Patterns: 23 Flash Patterns

Operating Voltage: 12~24VDC

Avg. Current:

AMBER / RED 0.75A@12VDC / 0.38A@24VDC

BLUE / WHITE 1.25A@12VDC / 0.63A@24VDC
(varies with flash pattern)

Avg. Power:

AMBER / RED 9 Watts

BLUE / WHITE 15 Watts (varies with flash pattern)

Max. Current:

AMBER / RED 1.5A@12VDC / 0.75A@24VDC

BLUE / WHITE 2.5A@12VDC / 1.25A@24VDC

Max. Power:

AMBER / RED 18 Watts

BLUE / WHITE 30 Watts

Wires: Red-Vcc : 20cm (20AWG)

Black-GND : 20cm (20AWG)

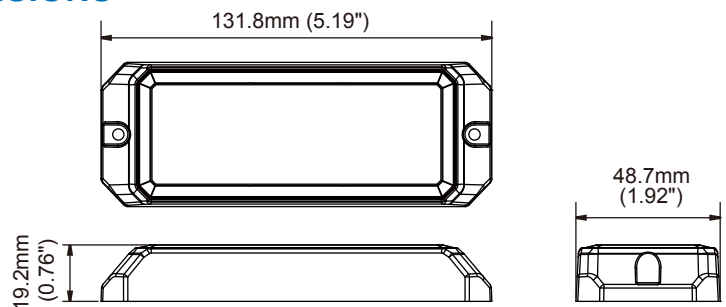
Yellow-Flash Patterns & Sync : 20cm (20AWG)

Fuse Recommended: 5A

Multi-Unit Synchronization: Over 15 units

Available in: RED , BLUE , AMBER , WHITE

DIMENSIONS



PART NO.

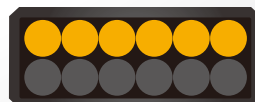
- SAE / M35-0113X-00 (X=LED Color)
- R65 / M35-0013A-01 (AMBER)
- R65 / M35-0013B-01 (BLUE)

FLASH PATTERN

Flash Patterns					
1	Double (2Hz)	9	Quint (split)	17	Quint (all)
2	Single (2Hz)	10	Mega (split)	18	Mega (all)
3	Triple (2Hz)	11	Ultra (split)	19	Ultra (all)
4	Quad (2Hz)	12	Single-Quad (split)	20	Single-Quad (all)
5	Random	13	Single H/L (split)	21	Single H/L (all)
6	Single (split)	14	Single (all)	22	Steady 2 (california)
7	Double (split)	15	Double (all)	23	Steady 4 (all)
8	Quad (split)	16	Quad (all)		

*SPLIT=Left alternate Right *ALL=all LEDs on

EXTRA FLASHING OPTIONS



Up-Down



Criss-Cross



Left-Right