

# B14

## ECE R65 LED BEACON



### FEATURES

- Certified powerful ECE R65 performance in all colour.
- Aero-dynamic Smooth dome lens for best appearance.
- Multiple mounting styles for all vehicle applications.
- 12~24VDC Multi-Voltage Input.
- LEDs rated to 100,000 hours of operation.
- Non-volatile memory recalls last flash pattern used at power up.
- Multi-units synchronization in simultaneous or alternating flash.
- Reverse polarity protection.
- Weatherproof and vibration resistant design for external or internal use.

### SPECIFICATIONS

**Compliance:** ECE R65(TA1; TB1; TR1); ECE R10; SAE J845; CA13; IPX5

**Operating Voltage:** 12~24VDC

**No. of Warning Patterns:** 11

**LED Elements:** 3W LED x 10pcs

**Avg. Current:** 1.7A @12.8VDC / 0.88A @24VDC (varies with flash pattern)

**Max. Current:** 3.3A @12.8VDC / 1.75A @24VDC

**Avg. Power:** 21 W (varies with flash pattern)

**Max. Power:** 42 W

**Wires:**

#### Magnetic Mount

- Single button cigar-plug: 300cm
- European cigar-plug: 250cm

#### Permanent Mount

- Red-Vcc : 40cm /15.74in (20AWG)
- Black-GND: 40cm /15.74in (20AWG)
- Yellow-Flash Patterns & Sync: 40cm /15.74in (20AWG)
- White-Phase: 40cm /15.74in (20AWG)

**Fuse Rating :** 5A

**Synchronization:** Up to 4 units

**Storage Temperature:** -40°C to +75°C

**Operating Temperature:** -30°C to +65°C

**LED Colour:** Red, Blue, Amber

**Lens Colour:** Red, Blue, Amber

**Warranty:** 5 Years

### ACCESSORIE

**99-B014M01-000**  
B14 Branch Guard

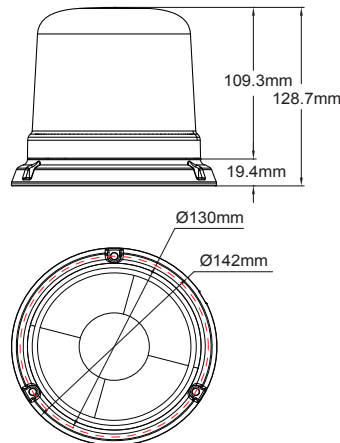


**99-B014X02-000**  
Rubber Wedge

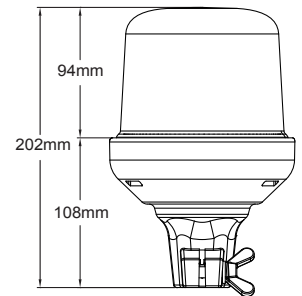


### DIMENSIONS

#### Permanent / Magnetic Mount



#### DIN Pole Mount



### PART NO.

- **B014-1x238-000** ECE R65, AMBER (TA1)
- **B014-1x232-000** ECE R65, BLUE (TB1)
- **B014-1x234-000** ECE R65, RED (TR1)
- **B014-1x135-000** SAE, AMBER
- **B014-1x132-000** SAE, BLUE
- **B014-1x134-000** SAE, RED

Mounting style - replace x with the following:

- 1 = 3-Bolt Mount
- 2 = Magnetic Mount (straight cord with single button cigar-plug)
- 3 = DIN pole Mount
- 4 = Magnetic Mount (coiled cord with European cigar-plug)
- 5 = Power Magnet Mount (straight cord with single button cigar-plug)
- 6 = Power Magnet Mount (coiled cord with European cigar-plug)

\*Power Magnet is rated at 250km/hr

### FLASH PATTERN

FP#	FLASH PATTERNS	FP#	FLASH PATTERNS
1	Double [R65]	7	Quint [SAE]
2	Single [2Hz]	8	Mega
3	Quad [2Hz]	9	Ultra [SAE]
4	Single [SAE, CA13]	10	Single-Quad
5	Double [SAE]	11	Single H/L
6	Quad [SAE]		

\*All approvals are based on actual model ordered.